

# LONKING

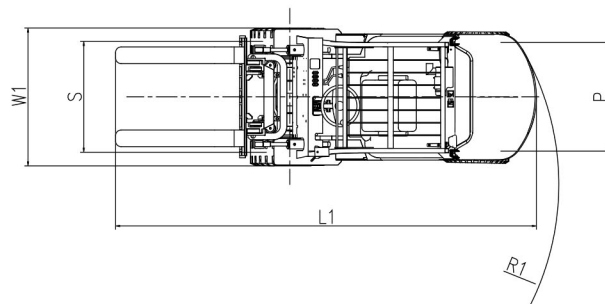
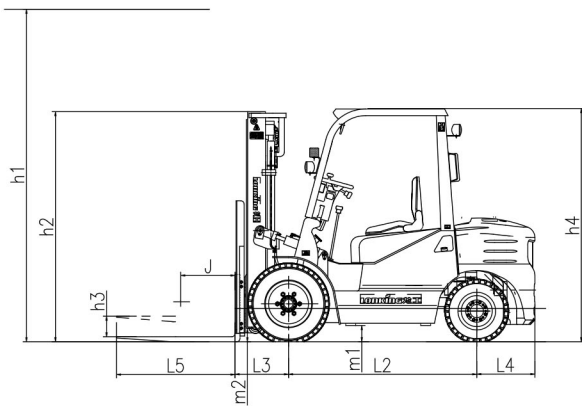
Efficiency Rules the Future

## LG80DT/LG100DT/LG160DT Internal Combustion Forklift

Equipped with Yuchai Engine or Imported Isuzu Engine  
Advanced Ergonomical Design  
New Type Hydraulic Transmission  
Wide View Mast



	LG80DT	LG100DT	LG160DT
■ Rated Capacity (kg):	8000	10000	16000
■ Power Type:	Diesel	Diesel	Diesel



MODEL	LG80DT	LG100DT	LG160DT
Power type	Diesel	Diesel	Diesel
Rated capacity (Kg)	8000	10000	16000
J Load centre (mm)	600	600	600
h1 STD Max lifting height (mm)	3000	3000	3500
h3 Free lifting height (mm)	205	210	0
L5*W*T STD Fork size (mm)	1370*150*75	1520*175*85	1800*180*100
Mast tilt angle (deg)	9/12	6/12	6/12
L3 Front overhang (mm)	700	716	970
L4 Rear overhang (mm)	780	780	840
<b>Overall dimension</b>			
L1 Overall length(with fork) (mm)	5350	5816	7410
W1 Overall width(mm)	2230	2230	2752
h2 Mast lowered height (mm)	2675	2845	3675
h4 Overhead guard height (mm)	2565	2575	3445
R1 Min. turning radius (mm)	3730	4000	5300
Min. intersecting aisle(mm)	5700	5960	8200
<b>Speed(load/unload)</b>			
Max. traveling speed (km/h)	25/27	25/27	22/27
Max. lifting speed (mm/s)	310/350	310/350	300/350
Max. gradient (%)	20	20	20
Self weight (kg)	10700	12800	21500
S/P Tread(front/rear) (mm)	1534/1700	1600/1700	1895/2120
L2 Axle distance (mm)	2500	2800	3800
<b>Min.ground clearance</b>			
m2 Mast (mm)	225	240	330
m1 Frame (mm)	270	300	340
STD Engine	Yuchai YC6B125	Yuchai YC6B125	Yuchai YC6A175
Rated power	92kW	92kW	128kW

LONGKING INTERNATIONAL STRATEGIC BUSINESS UNIT

## LONGKING HOLDINGS LIMITED

Add:26 Minyi Road,Xinqiao,Songjiang Industrial Zone,Shanghai  
P.C: 201612

Tel: +86-21-37602205 / 37602211

Fax:+86-21-57687966-8436 <http://www.lonkinggroup.com>

E-mail:[export@lonking.cn](mailto:export@lonking.cn) [marketing@lonkinggroup.com](mailto:marketing@lonkinggroup.com)

Lonking, Lonking CDM Series and their respective logos, as well as corporate identity in this leaflet are trademarks of Lonking Holdings Ltd., and may not be used without written permission.

Printed 07/2012 China

**For more information on Lonking products,  
Please contact our local agent:**



**Specifications and design are subject to change without prior notice.  
Machines shown may include optional accessories.**